

SINGLE GANG ETL CONTROL

KA0287 Installation Instructions

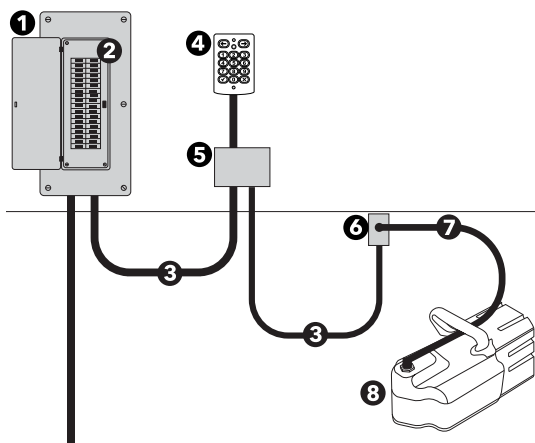
WARNING



WARNING

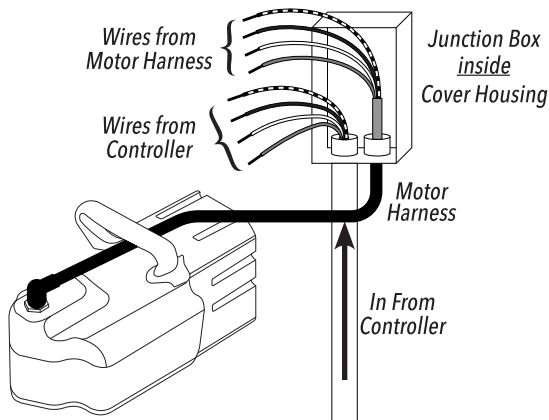
Do not attempt to connect, or disconnect, the control unit or motor harness while supply power is ON. Doing so can irreversibly damage controller and cover motor, and potentially cause serious injury or death.

SYSTEM LAYOUT



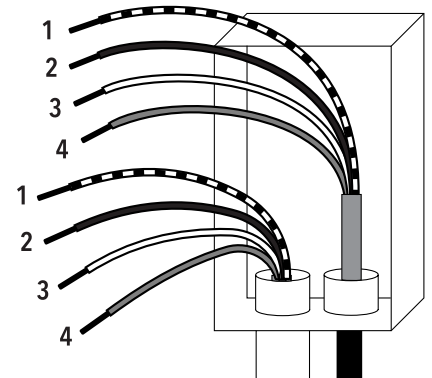
1. Main circuit breaker panel
 2. Dedicated 120VAC/20 amp GFCI-equipped circuit breaker - must be equipped with ground fault sensing provisions. Do not share the circuit breaker with any AC loads other than the motor.
 3. High Voltage Conduit - holds 3 12 AWG wires for 120VAC @ 20 amps
 4. PowerTouch Control Pad - electronic module communicates with motor
- IMPORTANT: Touch pad must be set in full view of pool, at least 5' above grade.**
5. High Voltage Junction Box - outdoor rated PVC box supports the transition from underground conduit to 3-conductor harness
 6. High Voltage Junction Box - outdoor rated box provides shielding to connections from keypad and motor harness
 7. Motor Harness - 4-conductor cable supplies high voltage drive to motor
 8. 120VAC 3/4HP Motor

MOTOR CONNECTIONS



Connection Guide

- Red (1) to Red (1) (directional wire)
- Black (2) to Black (2) (directional wire)
- White (3) to White (3) (common direct)
- Green (4) to Green (4) (ground)

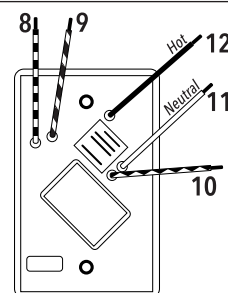
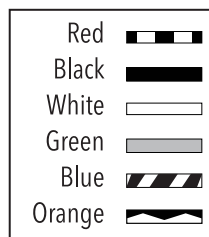


CONTROLLER CONNECTIONS

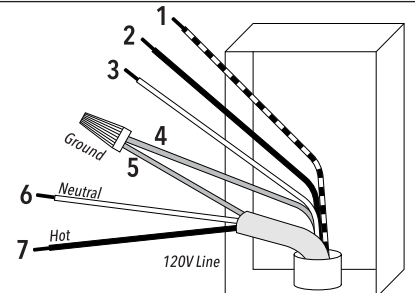
Connect supply power and control wires to appropriate leads located on the rear of the controller base.

Connection Guide

- Red (8) to Red (1) - (directional wire)
- Blue (9) to Black (2) - (directional wire)
- Black (12) to Black (7) - (power supply)
- White (11) to White (6) - (neutral line)
- Orange (10) to White (3) - (common direction wire)
- Green (4) to Green (5) - (ground to motor harness)



Back Side of Controller

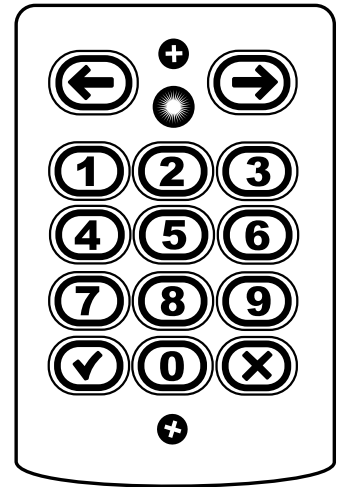


Poolside Junction Box

CONTROLLER OPERATION

Be sure all electrical connections within their respective junction boxes are secure with appropriate hardware.

1. Enter code (1)(2)(3)(4)
2. Press "Enter" (✓)
3. Use directional keys to move cover in desired direction. (←) or (→)
4. Press the (X) button to disable touchpad. The touchpad will automatically shut off in 20 seconds.



CHANGING THE CODE

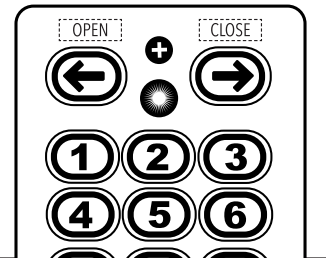
The default code, preset at the factory, (1)(2)(3)(4) works for all new controllers

1. Press and hold (✓) until RED light glows.
2. Enter new desired 4 number code.
3. The RED light will turn off when the new code has been accepted. The controller is ready for normal use.

REVERSING THE DIRECTION KEYS

The following procedure allows the function of the directional keys (←)(→) to be switch.

1. **TURN OFF THE POWER SUPPLY AT THE ELECTRIC SERVICE PANEL**
2. Open the keypad junction box and locate the appropriate DIRECTIONAL WIRES.
3. Disconnect both wires and reconnect them in the opposite configuration.
4. Place wires back inside the junction box and close the box.
5. Turn power back on at electric service panel.
6. To assist the pool owner, place the appropriate label above the arrow button that corresponds to that direction.



ENTERING SERVICE CODE

The Service Code allows access to the key pad without modifying or knowing the pool owner's code.

1. Press and hold the (✓) key until RED light glows.
2. Wait 2 seconds then press and hold the (✓) key until the RED light starts to flash.
3. Input Service Code (9)(0)(0)(1)
4. The RED light will turn off and the GREEN light will glow.
5. The cover can be opened or closed by pressing the appropriate key on the pad, (←) or (→)

NOTE: The touchpad will automatically shut off in 10 minutes if the cover is not run or disabled.

CHANGING THE TORQUE LIMIT

The controller is set up at the factory with the setting (←)=2, (→)=2. Based on the pool cover installation, modifications may be necessary.

1. Press and hold (✓) button until RED light glows.
2. Press and hold either (←) or (→) to change torque setting in that direction. Hold button until the RED light starts blinking GREEN, then release.
3. The GREEN light will flash, counting out the current torque setting (1, 2, 3 or 4) for 3 sequences.
4. Increase or decrease the torque setting when the light is blinking by pressing 1, 2, 3 or 4. The minimum setting is 1, the maximum is 4. The GREEN light will then count out the modified torque setting.
5. Repeat if necessary to change the torque setting in the opposite direction. Press (X) to save setting when light is blinking or the unit will automatically exit and save setting when the blinking sequence is completed.

TECHNICAL SUPPORT

If you have any questions about these installation procedures, please contact Technical Support
(800) 878-5789 Monday through Friday, 8 am - 5 pm EST.

Automatic Pool Covers, Inc.

(800) 878-5789 • APC-Mfg.com